

USB Panel-mount Extension Cable Installation Guide

(USB miniB 1m)
(ZC9USEXMB1)

Thank you for purchasing Pro-face's USB Panel-mount Extension Cable (USB miniB 1m) (hereafter referred to as the "cable"). This cable is an Extension Cable attaching to the USB (mini B) port on the front side of the operation panel. Prior to using this cable, please be sure to read this manual completely and use it properly following the descriptions.

Please confirm that the following items are included in the cable's package.

- Installation Guide (This manual)
- A USB Panel-mount Extension Cable (USB miniB) (length: 1m [39.37in.])
- A waterproof cap
- A nut
- A packing

Safety Precautions

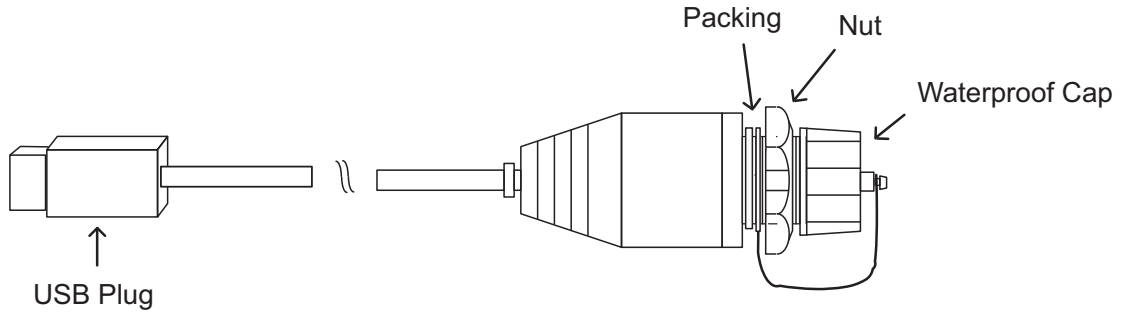


WARNINGS

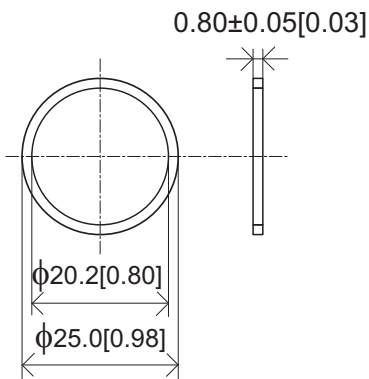
- Prior to connecting the cable, check that the Display's power supply is completely turned OFF to prevent an electric shock.
- Do not modify the cable, since it may lead to a fire or electric shock.
- This cable is not appropriate for use with aircraft control devices, aerospace equipment, central trunk data transmission (communication) devices, nuclear power control devices, or medical life support equipment, due to these devices inherent requirements of extremely high levels of safety and reliability.
- When using this cable with transportation vehicles (trains, cars and ships), disaster and crime prevention devices, various types of safety equipment, non-life support related medical devices, etc. redundant and/or failsafe system designs should be used to ensure the proper degree of reliability and safety.
- When this unit is disposed of, it should be done so according to your country's regulations for similar types of industrial waste.

Dimensions

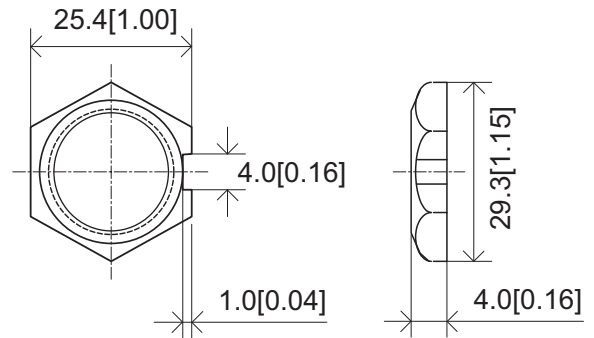
Unit:mm[in.]



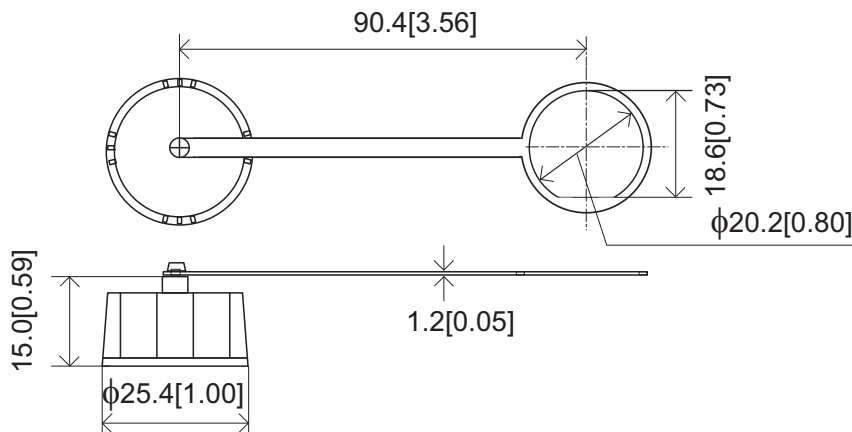
Packing



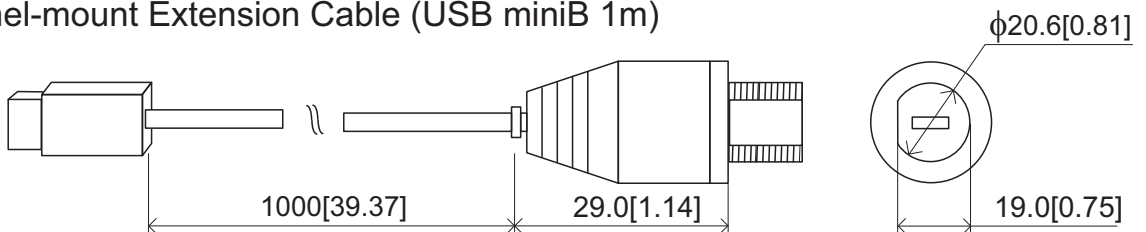
Nut



Waterproof Cap



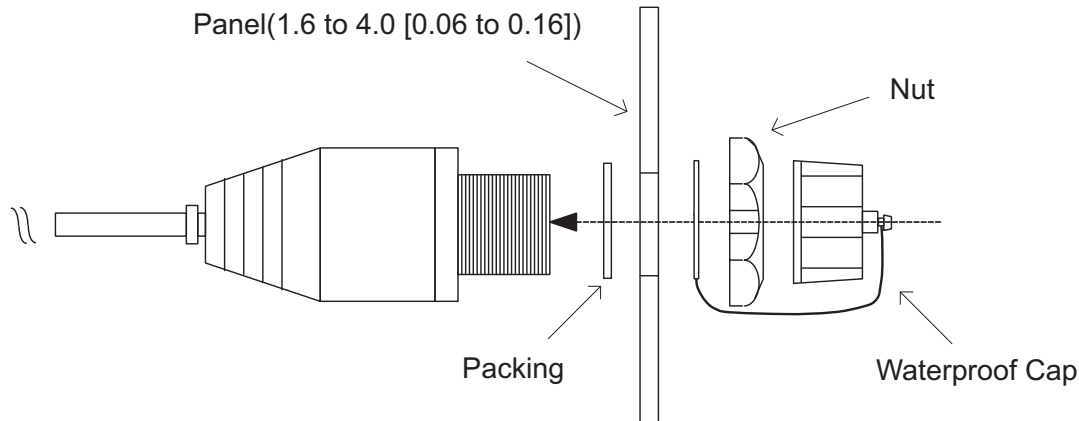
USB Panel-mount Extension Cable (USB miniB 1m)



Installation

The USB plug side of a cable is attached in Display. Attach the packing, the cap (the packing part), the nut, and the cap (the main part) carefully as shown below with confirming that they are not bent or twisted.

Unit:mm[in.]

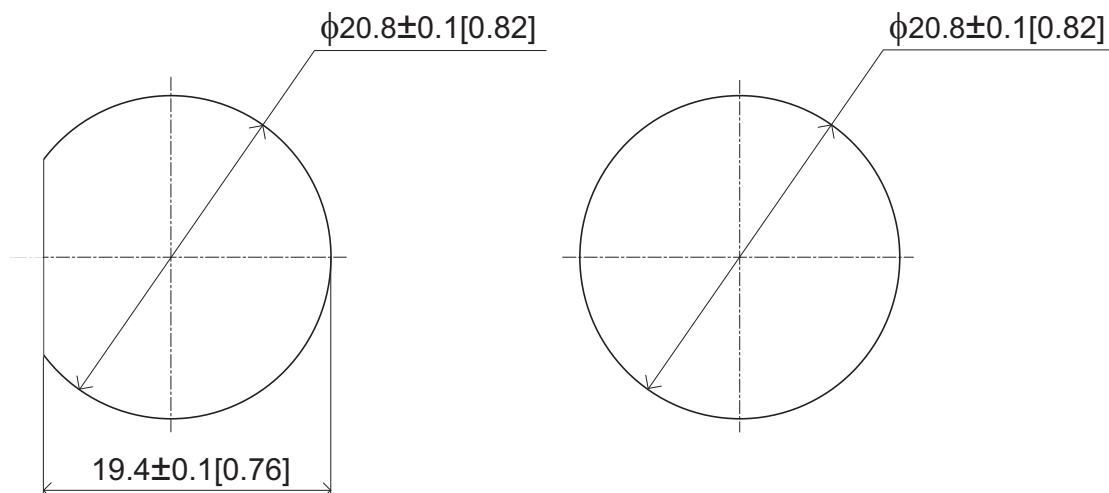


- ***If the cap is attached to this cable, IP67F will be applied to the front side (the right side of the panel in the figures above) only.***
- ***Tighten the cap. Tighten the nut with the torque (0.1N•m). If the torque is too strong or weak, efficiency of waterproof may not be fully made.***

Panel Cut Dimensions

Please adopt the figure on the left side in the figures shown above. If the figure on the right side is adopted, efficiency of waterproof might be reduced.

Unit:mm[in.]





SCIGATE AUTOMATION (S) PTE LTD

No.1 Bukit Batok Street 22 #01-01 Singapore 659592

Tel: (65) 6561 0488

Fax: (65) 6562 0588

Email: sales@scigate.com.sg

Web: www.scigate.com.sg

Business Hours: Monday - Friday 8.30am - 6.15pm

Note

Please be aware that Digital Electronics Corporation shall not be held liable by the user for any damages, losses, or third party claims arising from the uses of this product.